

AIR MUSEN

AIR MUSEN

2024

Guangdong AIRMUSEN
Compressor Technology Co., Ltd.
广东爱木森压缩机科技有限公司

High Pressure Compressor
www.airmuse.com



THE RELENTLESS PURSUIT OF PERFECTION.



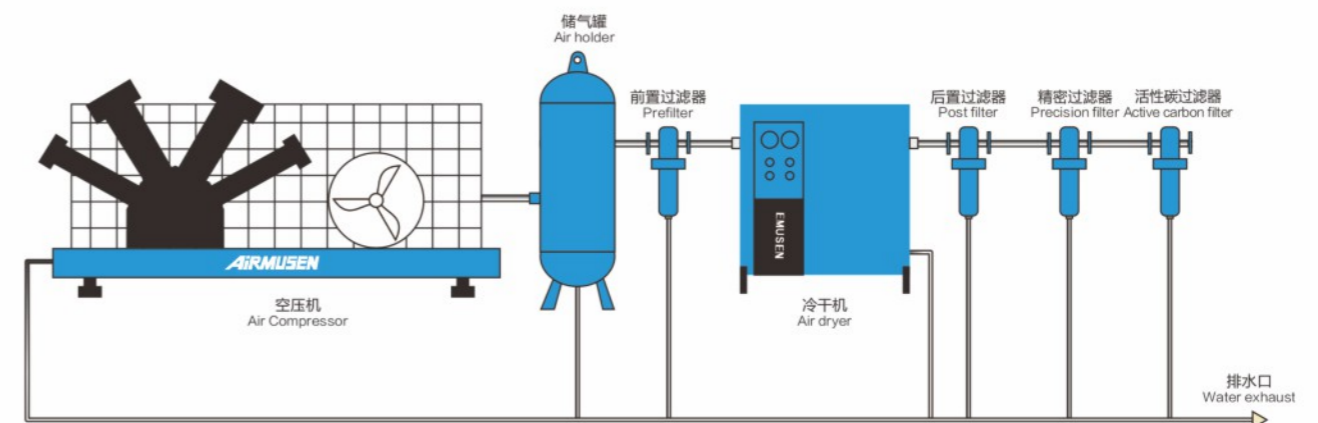
AIRMUSEN 千锤百炼只为您

广东爱木森压缩机科技有限公司，致力于空气压缩机、压缩空气后处理及周边设备的研发、生产和销售，为压缩机用户提供可持续的、节能的压缩空气及干燥净化系统解决方案。我们以“纯净空气·爱护森林·爱护自然”为宗旨，按照高品质和高工艺要求，助力客户实现可持续发展的目标，并在复杂多变的市场中不断突破和自我成长。

公司多年来不断努力发展，现主要生产的产品有无油中高压空压机、有油中高压空压机、中高压螺杆增压空压机、螺杆机、后处理净化设备等，生产各种气体压缩机如空气、氮气、氩气、氦气、氢气、二氧化碳等工艺气体，可根据特定要求，定制各种气体压缩机。

Guangdong AIRMUSEN Compressor Technology Co., Ltd. is committed to the research and development, production, and sales of air compressors, compressed air post-treatments, and other related accessory equipment, providing sustainable and energy-saving compressed air drying and purification system solutions for compressor users. Our mission is to Purify Air, Cherish Forest and Treasure Nature. Under the high quality and fine craftsmanship requirements, we are aiming to assist our customers in achieving their sustainable development goals and empower them to continuously make breakthroughs and gain self-growth in this complex and ever-changing market.

Our company has been striving for development in the past decades, with focuses on products such as Oil-free Medium and High Pressure Air Compressors, Medium and High Pressure Air Compressors, Medium and High Pressure Screw and Piston Booster Air Compressors, Screw Air Compressors, Compressed Air Purification Treatment Systems, etc. Compressors for other sort of gases like Nitrogen, Argon, Helium, Hydrogen, Carbon Dioxide are also among our catalogs. Customized compressor proposals for various gas could be offered based on any specific requirements. Feel free to contact us for your very tailor-made air compressor plans.



TWO-STAGE
COMPRESSOR

二级压缩机

经济实用型 / ECONOMICAL AND PRACTICAL

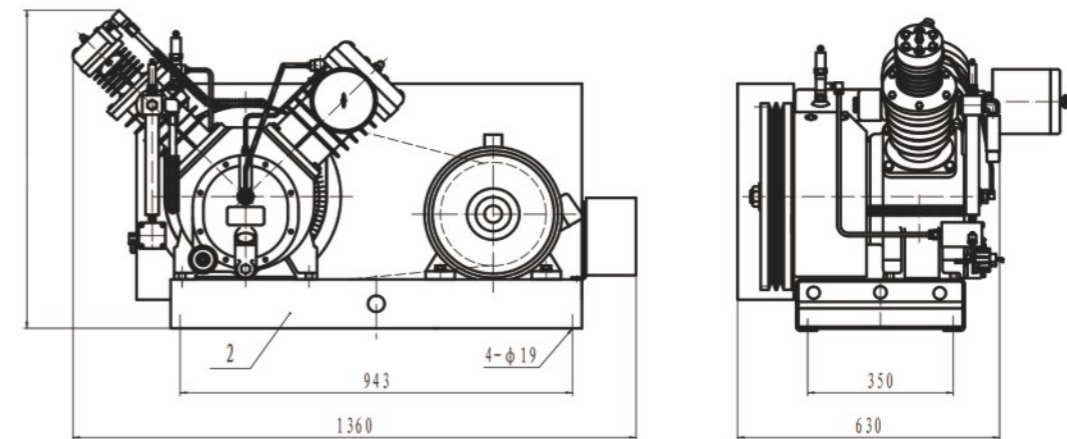
压缩机采用风冷冷却系统, 高效的中间及后冷冷却器, 整机结构紧凑。

The compressor is in compact structure with air cooling system, efficient intermediate and post cooling cooler.



压缩机设计有低油位保护系统, 适时地检测油位, 一旦缺油实行停机保护, 机组可选配储气罐(标准机器出厂不配气罐)。

With low oil level protection system to detect the oil level timely, in case of oil shortage to implement shutdown protection, air tank can be optional (Standard compressor out of factory without air tank).



技术参数
Technical Parameters

型号MODEL	EAH-0.7/30	EAH-0.6/35
排气量(m ³ /min) Capacity	0.7	0.6
压力(Mpa) Pressure	3.0	3.5
电机功率(KW) Motor power	7.5	7.5
外形尺寸(mm) Dimension	1360*630*780	1360*630*780
重量(kg) Weight	310	310



公司经过多年努力,秉承生产优质的空气压缩机精神,生产可连续运行、性能稳定的中高空空气压缩机,现已应用于各种行业、并远销海外。经济、节能是我们的显著特点。

After years of effort, adhering to the spirit of producing the best air compressor in the industry, AIRMUSEN company produces medium pressure and high pressure air compressors with sustainable operation and stable performance, which have been applied in various industries and sold overseas. Economic and energy saving are the remarkable characteristics of AIRMUSEN compressor.

压缩机的整机占地面积小,不需要特殊的基础安装,为特殊行业所需的高压气源提供多种选择。

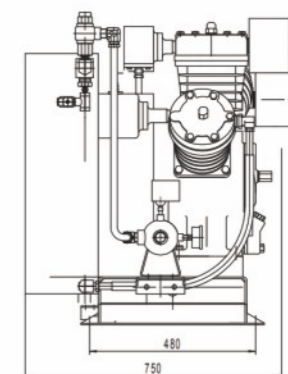
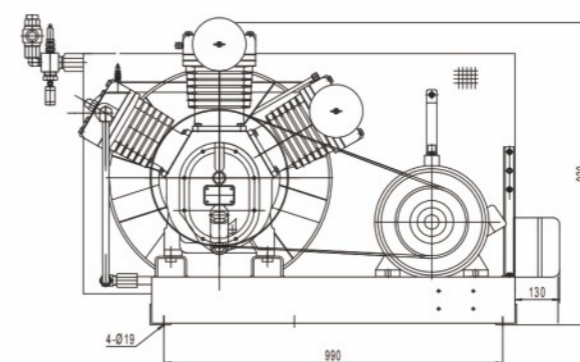
The whole machine of air compressor occupies less area and does not need special foundation installation, it provides a variety of options for high pressure air source needed by special industry.

压缩机主机所有的气缸都是精密铸件,坚固耐用,在气缸的表面铸有翅片,有利于压缩机主机的散热。

All the cylinders of air-end of AIRMUSEN compressor are precision castings, durable and finned on the surface of the cylinder, which is conducive to the heat dissipation of the compressor.

排气阀片采用进口高硬度特殊材料大大提高了阀组件使用寿命。

The inlet and outlet valve adopt Imported high hard special material can greatly improve the service life of valve set.

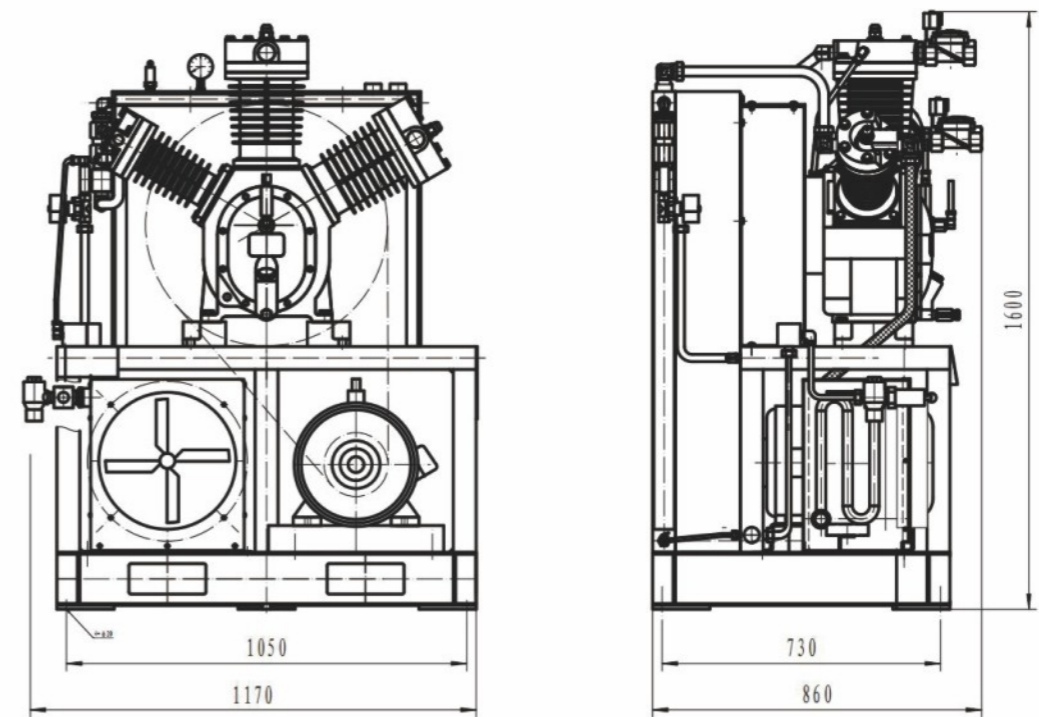


技术参数 Technical Parameters

型号MODEL	EAH-1.0/30	EAH-1.2/30	EAH-1.5/30
排气量(m ³ /min) Capacity	1.0	1.2	1.5
压力(Mpa) Pressure	3.0	3.0	3.0
电机功率(KW) Motor power	11	15	18.5
外形尺寸(mm) Dimension	1475*730*910	1475*730*910	1490*760*910
重量(kg) Weight	430	430	513

多机组组合形式也是实现低能耗、低维护、连续运转的重要途径,主机的入口装有全自动卸压系统,确保机组在无负荷的情况下安全启动,延长压缩机的使用寿命,有效保护主机及电机,降低对用户电网的冲击。

Multi-unit combination is also an important way to achieve low energy consumption, low maintenance and continuous operation. The entrance of the main engine is equipped with an automatic pressure relief system to ensure the unit starts safely without load, extend the service life of compressor, effectively protect the air-end and motor, and reduce the impact on the users' power grid.



技术参数
Technical Parameters

型号MODEL	EAH-2.2/30
排气量(m ³ /min) Capacity	2.2
压力(Mpa) Pressure	3.0
电机功率(KW) Motor power	22
外形尺寸(mm) Dimension	1150*860*1600
重量(kg) Weight	615

THREE-STAGE COMPRESSOR

三级压缩机

可靠耐用型 / RELIABLE AND DURABLE

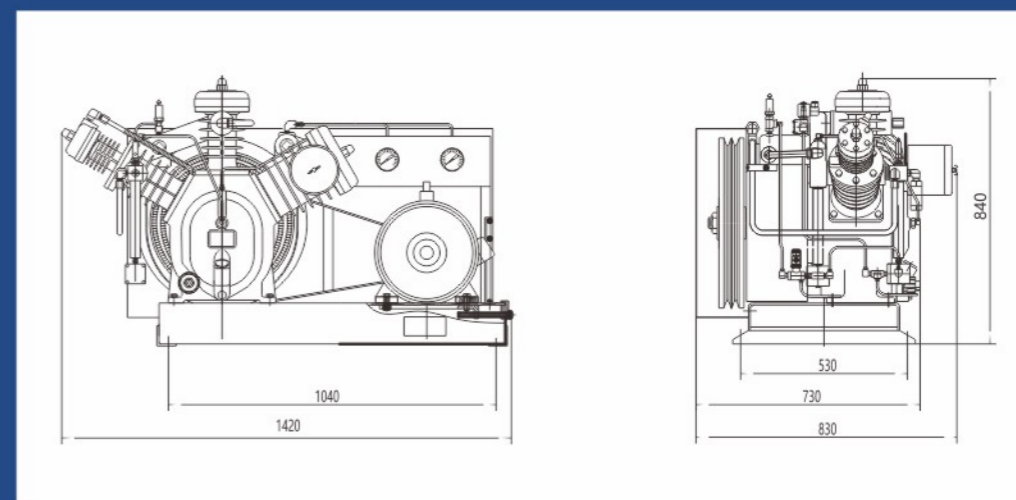
环形阀密封性好，泄漏量小，提高吸气效率降低能耗。

Annular valve has advantages of good sealing, small leakage, improving suction efficiency and reducing energy consumption.



压缩机内部装有高效的高压气阀，阀组结合进气口配有4微米的进气滤清器确保压缩机空气纯净。

The compressor is equipped with an efficient high-pressure inlet outlet air valve, and the inlet valve is equipped with a 4 micron inlet air filter to ensure the compressor's air purity.

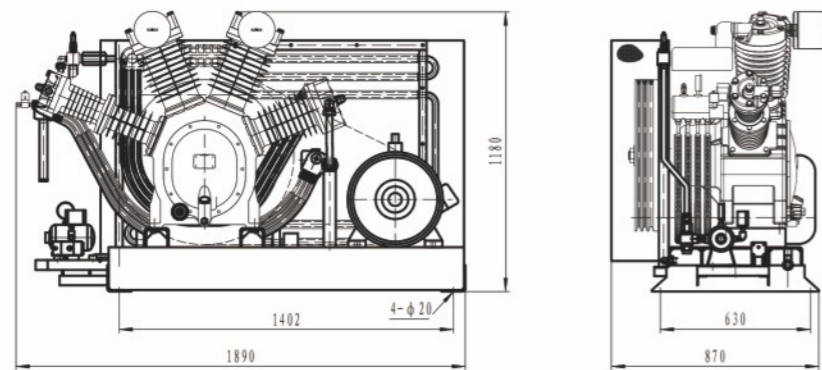


技术参数 Technical Parameters

型号MODEL	EAH-1.0/40	EAH-1.0/55	EAH-0.6/105
排气量(m ³ /min) Capacity	1.0	1.0	0.6
压力(Mpa) Pressure	4.0	5.5	10.5
电机功率(KW) Motor power	11	15	15
外形尺寸(mm) Dimension	1420*840*840	1420*840*840	1420*840*840
重量(kg) Weight	470	470	470

压缩机整机进排气阀组采用环型阀组件, 气流对阀片冲击小, 气体流动阻力小, 噪音低, 寿命长。

The Inlet and outlet valves of compressor adopt the annular valve set, which has small impact on the valve plate by air flow, small resistance to air flow, low noise and long service life.



技术参数
Technical Parameters

型号MODEL	EAH-2.0/40	EAH-3.0/40
排气量(m ³ /min) Capacity	2.0	3.0
压力(Mpa) Pressure	4.0	4.0
电机功率(KW) Motor power	22	30
外形尺寸(mm) Dimension	1800*850*1110	2020*935*1100
重量(kg) Weight	660	920

产品采用先进的压缩设计技术, 使得中高压压缩机具有与国外产品相同的高品质、稳定、高效、节能、环保等显著的特点。排气量从0.15-60m³/min有多种规格和多机组组合供用户选择, 能够满足用户的各种需求。多机组组合形式也是实现低能耗、低维护、连续运转的重要途径, 同时每台机组都配有卸载、启动电磁阀、自动排水器、排污阀, 使机组启动更加安全, 运行更加平稳

The products of AIRMUSEN adopt advanced compression technology, which makes AIRMUSEN medium and high pressure compressor have the remarkable characteristics of same high quality, stability, high efficiency, energy saving and environmental protection as foreign products. There are a variety of specifications for customers to choose from 0.15-60m³/min, which can meet various requirements of users. Multi-unit combination is also an important way to achieve low energy consumption, low maintenance and continuous operation. At the same time, each unit is equipped with unloading, starting solenoid valve, automatic drainer and blow down valve, so as to make the unit start more safely and run more smoothly.



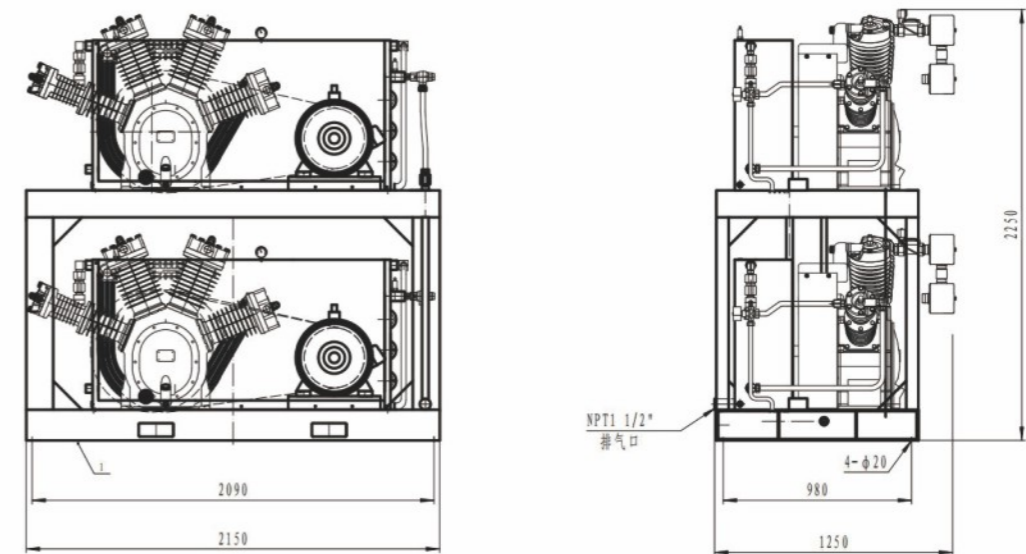
经多年来的考验,已赢得用户的一致肯定,目前爱木森已生产出30多种规格的中高压空气压缩机,可灵活的组成各种用户所需的配置,多种机组可安装在同一撬板上,内有管线连接,运行稳定,维护方便。

After years of testing, has won the user's unanimous affirmation, AIRMUSEN has produced more than 30 kinds of specifications of medium and high pressure air compressor at present, can be flexibly composed of a variety of user required configuration, a variety of units can be installed on the same skid plate, with pipeline connection, stable operation, easy maintenance.



压缩机设计独特的风轮设计使机组连续低温运转,可采用多台设备安装在同一机架上安装简单、使用方便,机组可以灵活调配使用。

The special designed wind wheel of compressor makes the unit continuously running in low temperature, multi-device can be installed on the same skid plate, simple to install, easy to use, can be flexibly configured and used.



技术参数
Technical Parameters

型号MODEL	2-EAH-4/40	2-EAH-6/40
排气量(m ³ /min) Capacity	4	6
压力(Mpa) Pressure	4.0	4.0
电机功率(KW) Motor power	22*2	30*2
外形尺寸(mm) Dimension	2200*1120*2250	2200*1120*2250
重量(kg) Weight	1905	1905

BOOSTER
SERIES

增压机系列

节能环保型 / ENERGY-SAVING AND ENVIRONMENTALLY FRIENDLY



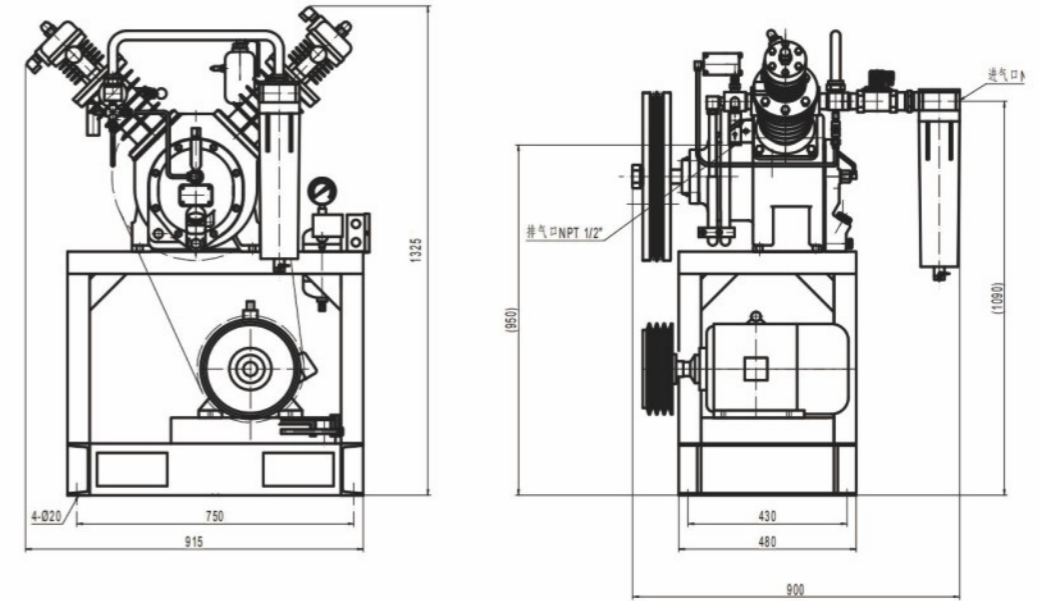
压缩机主机设计为多级增压压缩, 冷却方式为风冷, 机组采用皮带驱动方式。
The air-end of AIRMUSEN compressor is designed as multi stages booster compression, air cooling, belt driving.

压缩机采用独特高级的冷却器, 合理的设计, 优良的散热效果。
AIRMUSEN is equipped with unique efficient cooler, reasonable design, excellent heat dissipation effect.



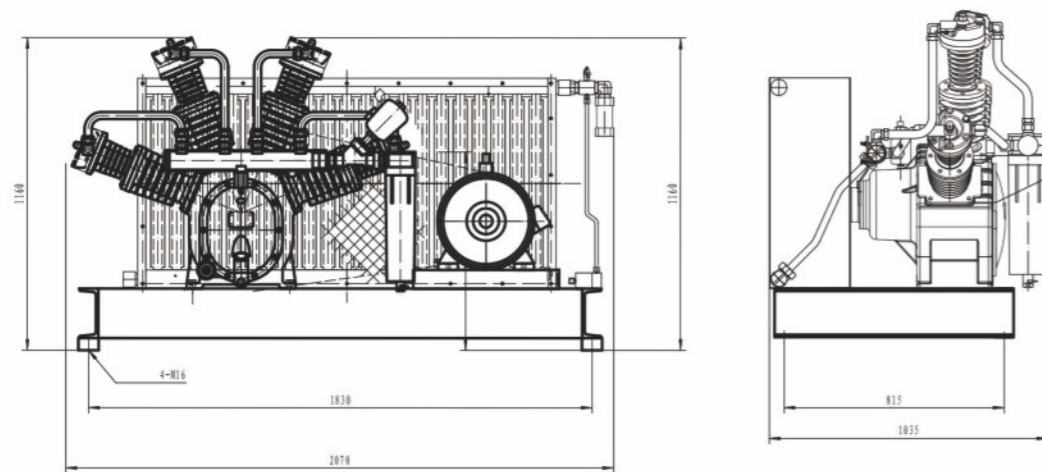
增压机采用多级增压可以压缩各种气体、空气、氮气、氦气等各种气体。

AIRMUSEN booster can multi-stage compression various of gas, like air, nitrogen, helium, etc.



技术参数
Technical Parameters

型号MODEL	EAH-2.0/40-Z	EAH-3.0/40-Z	EAH-4.0/40-Z
排气量(m ³ /min) Capacity	2.0	3.0	4.0
压力(Mpa) Pressure	4.0	4.0	4.0
电机功率(KW) Motor power	9	11	15
外形尺寸(mm) Dimension	935*900*1325	935*940*1325	1330*735*1600
重量(kg) Weight	380	430	460



技术参数
Technical Parameters

型号 MODEL	EAH-6.0/40-Z	EAH-8.0/40-Z	EAH-10/40-Z
排气量(m ³ /min) Capacity	6.0	8.0	10
压力(Mpa) Pressure	4.0	4.0	4.0
电机功率(KW) Motor power	22	30	30
外形尺寸(mm) Dimension	2070*1000*1160	2130*1020*1200	2130*1020*1200
重量(kg) Weight	845	895	895

增压机系列产品拥有良好的产品性能, 稳定可靠。

AIRMUSEN booster compressor series is with good performance, stable and reliable.

高性能的增压机可以将0.2MPa的压力增压至30.0MPa, 为此你无需再投资高压空压机, 从此节省更多费用。

High-performance booster compressor can pressurize the pressure from 0.2 Mpa to 30.0 Mpa, so you don't need to invest in the high-pressure air compressor again, saving more cost.

